



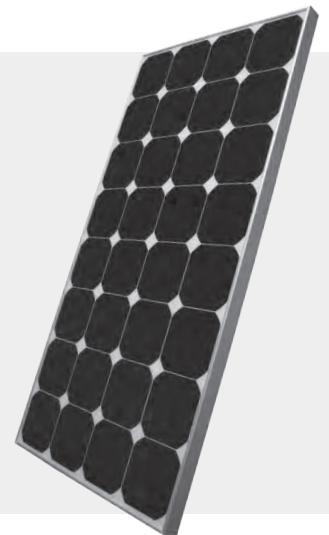
The Waterboy-Series of PV modules offer a conversion efficiency of 17-20% due to the unique back-contact technology. Our monocrystalline silicon solar cells yield a higher voltage per cell. As a result, BWSolar modules are lighter and smaller. In combination with an extremely low voltage-temperature coefficient, this guarantees a superior battery charging performance, even at high operating temperatures. Exceptional low-light performance and broad spectral response further enhance energy delivery in all weather conditions, year round.

## Features

- Photovoltaic modules made with unique SunPower cells.
- Cells with high conversion efficiency of up to 20%.
- Due to the high efficiency, the modules are smaller in size than modules made with conventional cells.
- Modules are made with high quality materials which lead to the high reliability of the module.
- Designed to charge 12 to 48 volt batteries for off grid remote power systems.
- Manufactured in ISO9001 certified factory.

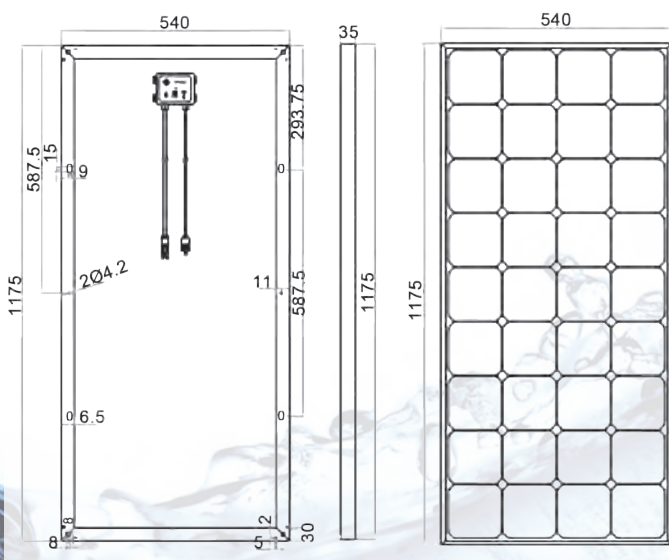
## Applications

- Water pumping
- On and off-grid home solar systems
- Street and camp lights
- Traffic signals
- Medical facilities in remote areas
- Microwave/radio repeater stations
- Battery charging
- Remote location lighting
- Water purification systems



## Warranty

2 years Warranty. Performance guarantee: 10 years (90% power output) 20 years (80% power output) Details according to warranty issued by BW Solar



## Electrical Characteristics

Max Power	PMax	110W
Max Power Voltage	Vmmp	19.8V
Max Power Current	Immp	5.56A
Open Circuit Voltage	Voc	23.7V
Short Circuit Current	Isc	5.91A
Maximum System Voltage		600V
Series Fuse Rating		10A

## Temperature Coefficients

- Power	-0.38%/°C
- Voltage	-60.8mV/°C
- Current	2.2mA/°C

Cell Efficiency	20.5%
Number of Cells in Series	36
Max Power Tolerance	±5%

## Mechanical Characteristics

Weight	8.5kg
Dimension	1175*540*35
Frame	>10um clear anodized